

# CONNECTION HEAD

## SCH15

- Polished Stainless Steel Construction
- SEALED TO IP67
- M16 x 1.5 Entry
- Sensor or Surface Mount Versions
- For use with DM640 / SEM710



### INTRODUCTION

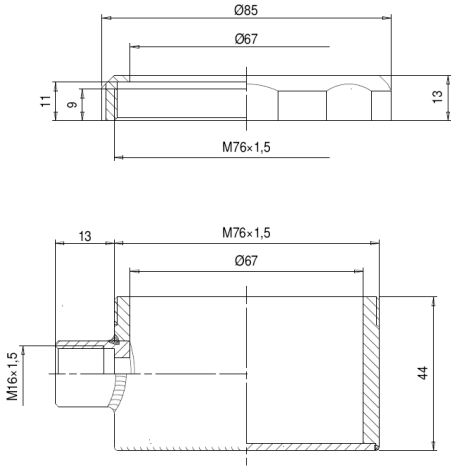
Finished in polished stainless steel, the SCH15 has been designed as a single entry to house the DM640 battery powered thermometer or double entry to house the SEM710 temperature transmitter with integral display. The connection head affords protection to IP67. Sensor entry is M16 x 1.5 and the cable entry (used with the SEM710) is M16 x 1.5. They come in sensor or surface mounted versions. There is also a rear entry version for use with the DM640 series too.



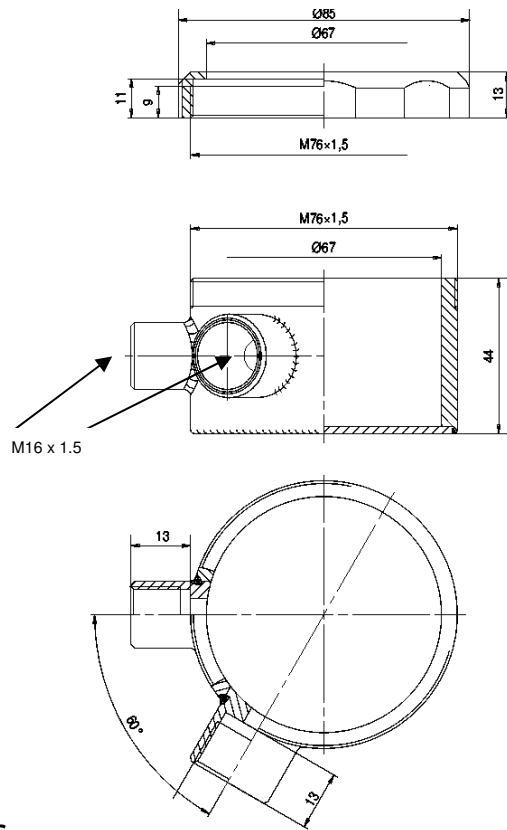
# CONNECTION HEAD

## MECHANICAL

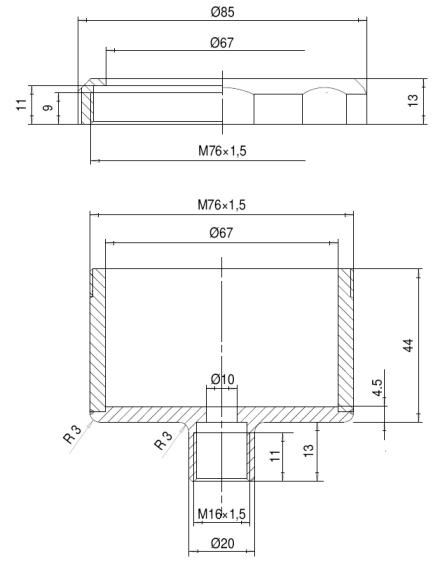
### SINGLE ENTRY



### DOUBLE ENTRY



### REAR ENTRY



### WALL MOUNT VERSIONS

